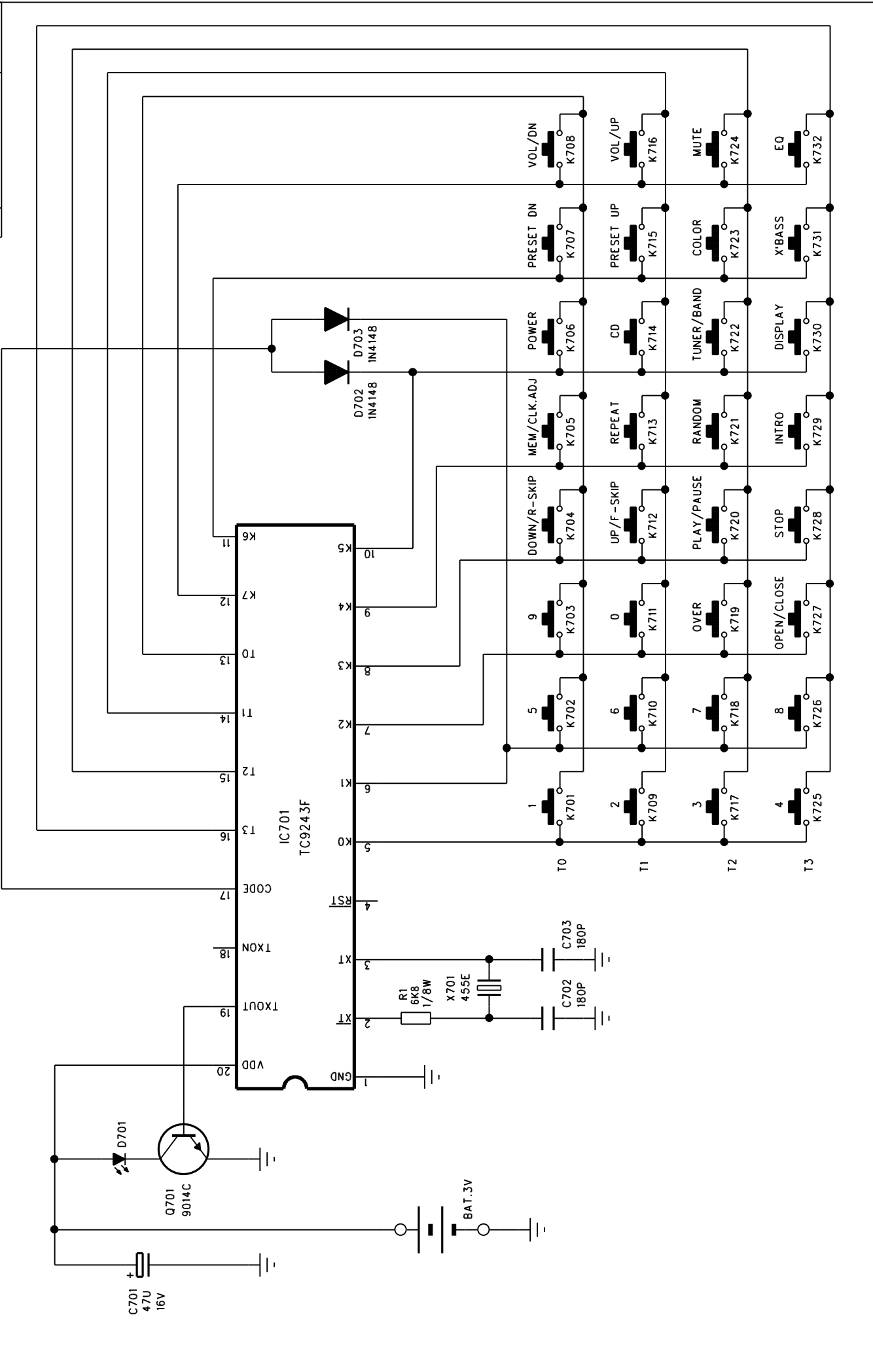
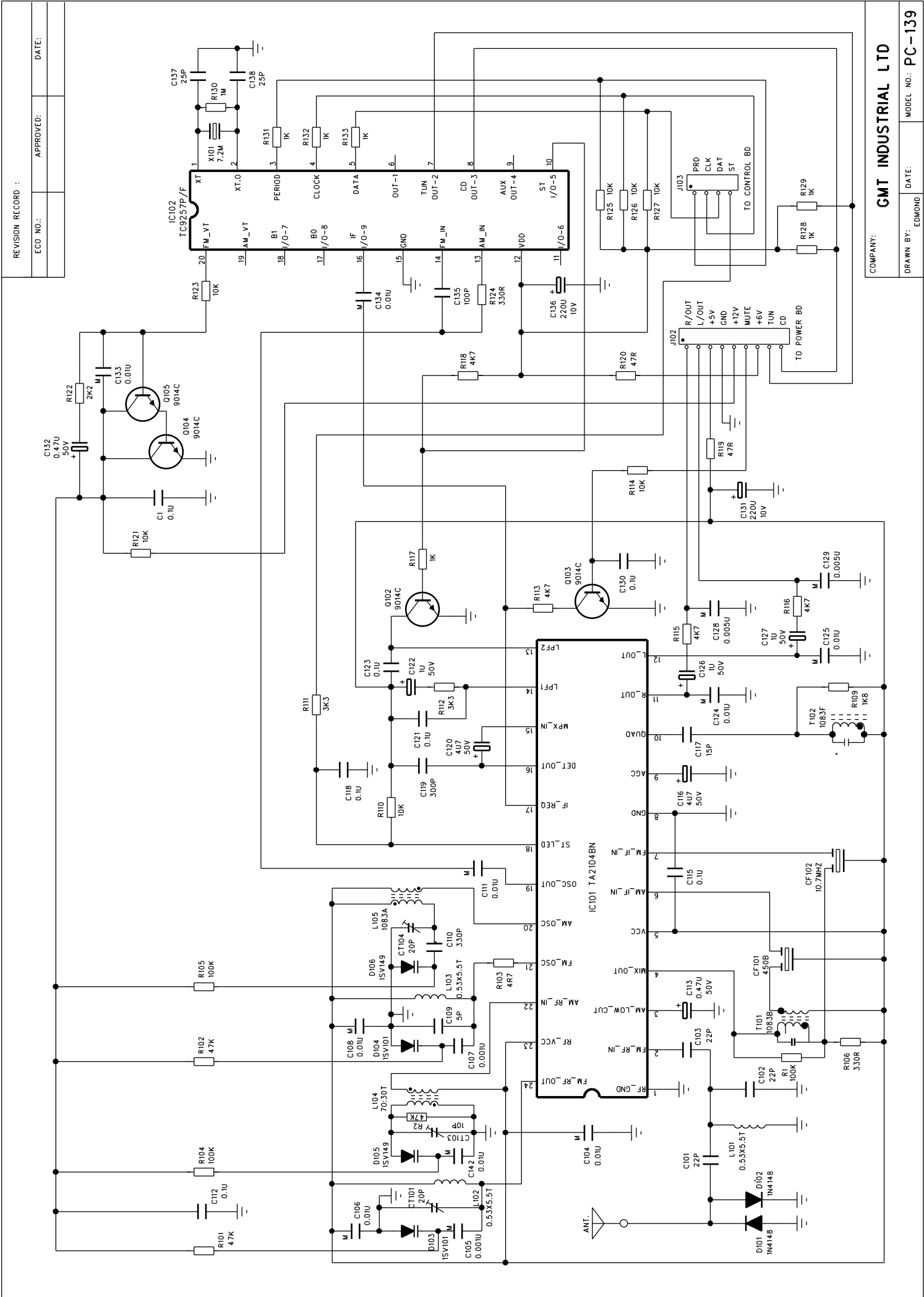


REVISION RECORD	
LTR	ECO NO.
APPROVED:	DATE:

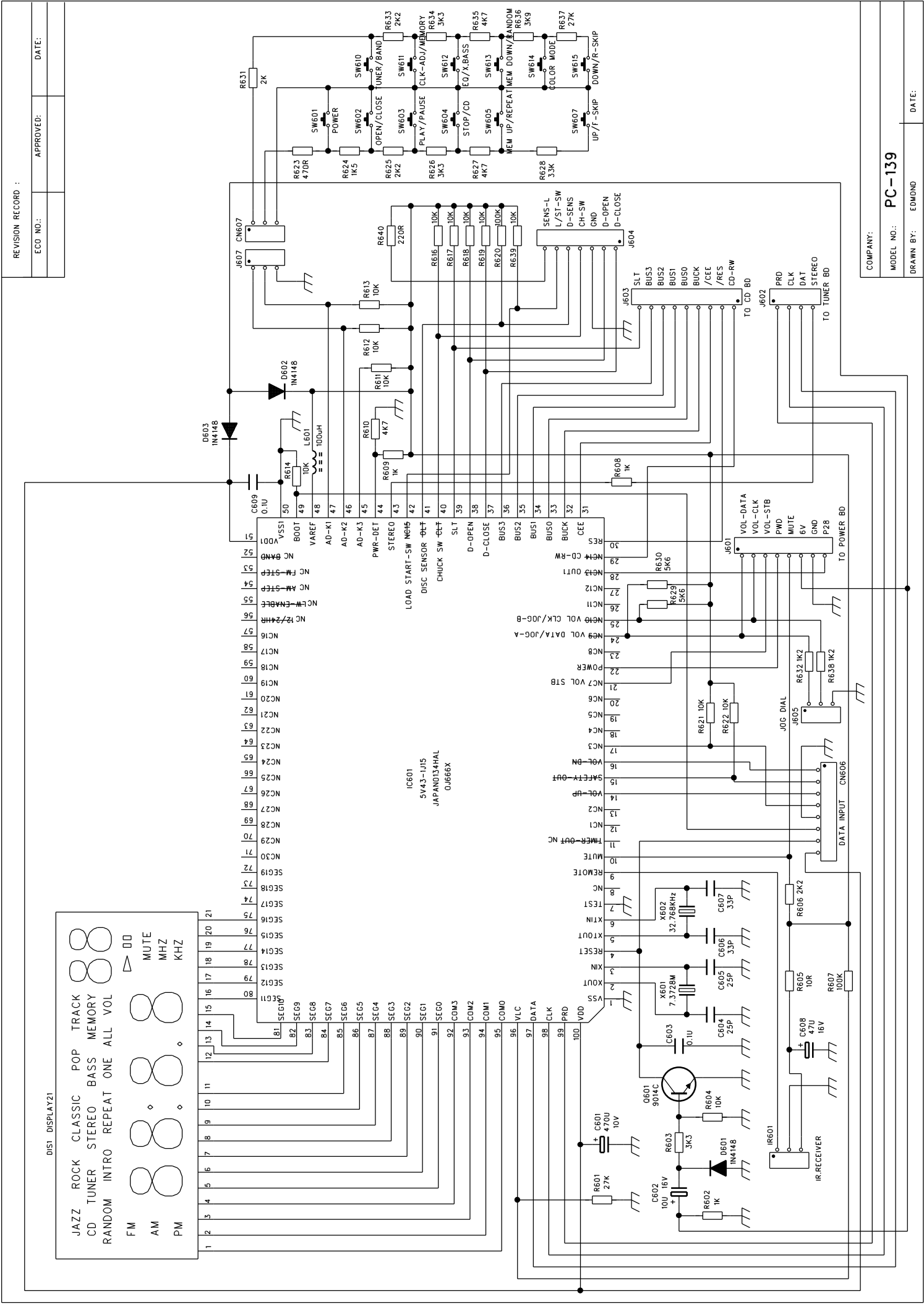


GMT INDUSTRIAL CO.LTD.
MODEL: PC-139(RM)
NAME: EDMOND
DATE:



REVISION RECORD :	
ECO NO.:	APPROVED:
	DATE:

COMPANY: GMT INDUSTRIAL LTD	
DRAWN BY: EDMOND	DATE:
	MODEL NO.: PC-139



REVISION RECORD :

ECO NO.:	APPROVED:	DATE:
----------	-----------	-------

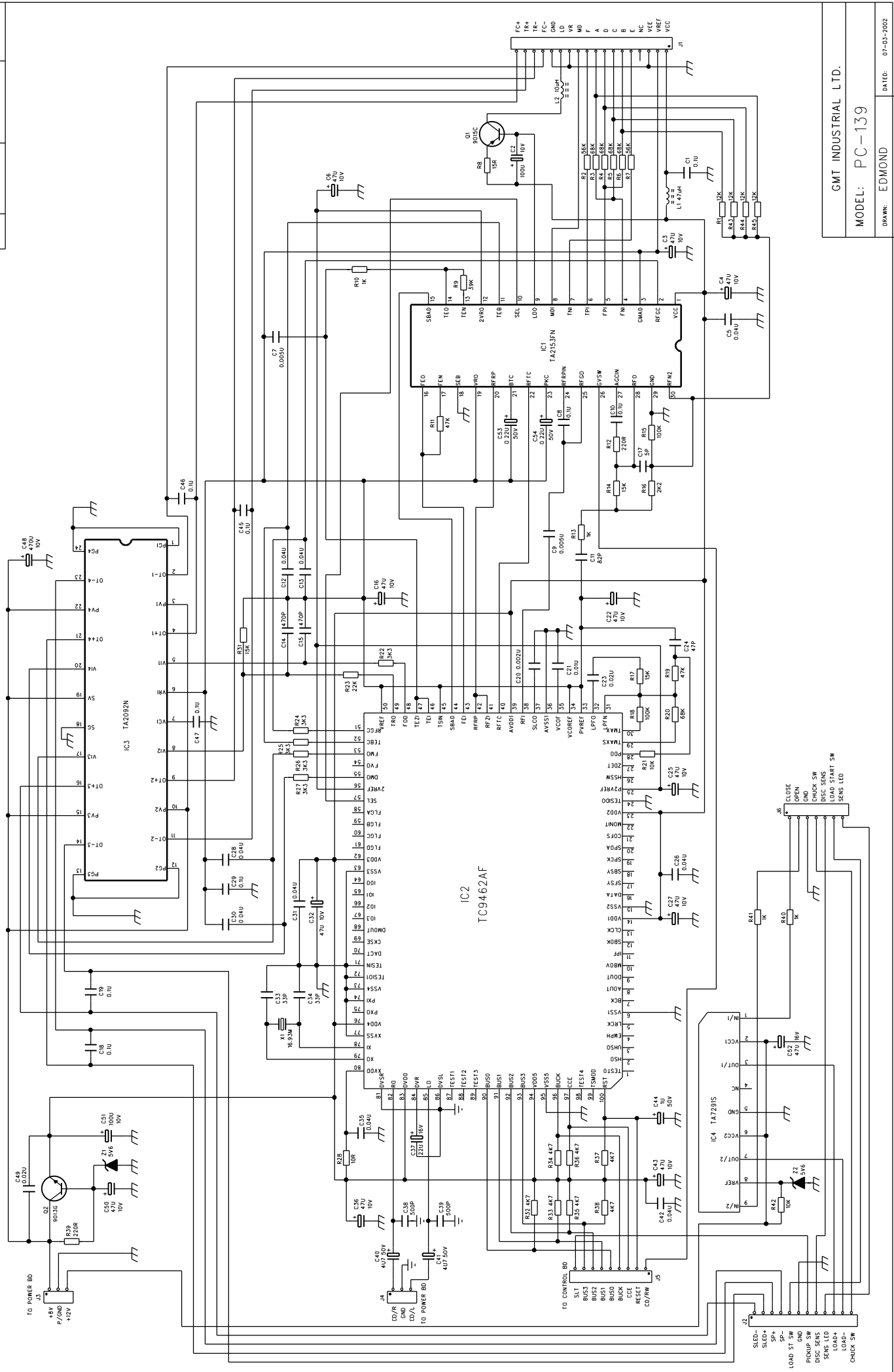
COMPANY: EDMOND

MODEL NO.: **PC-139**

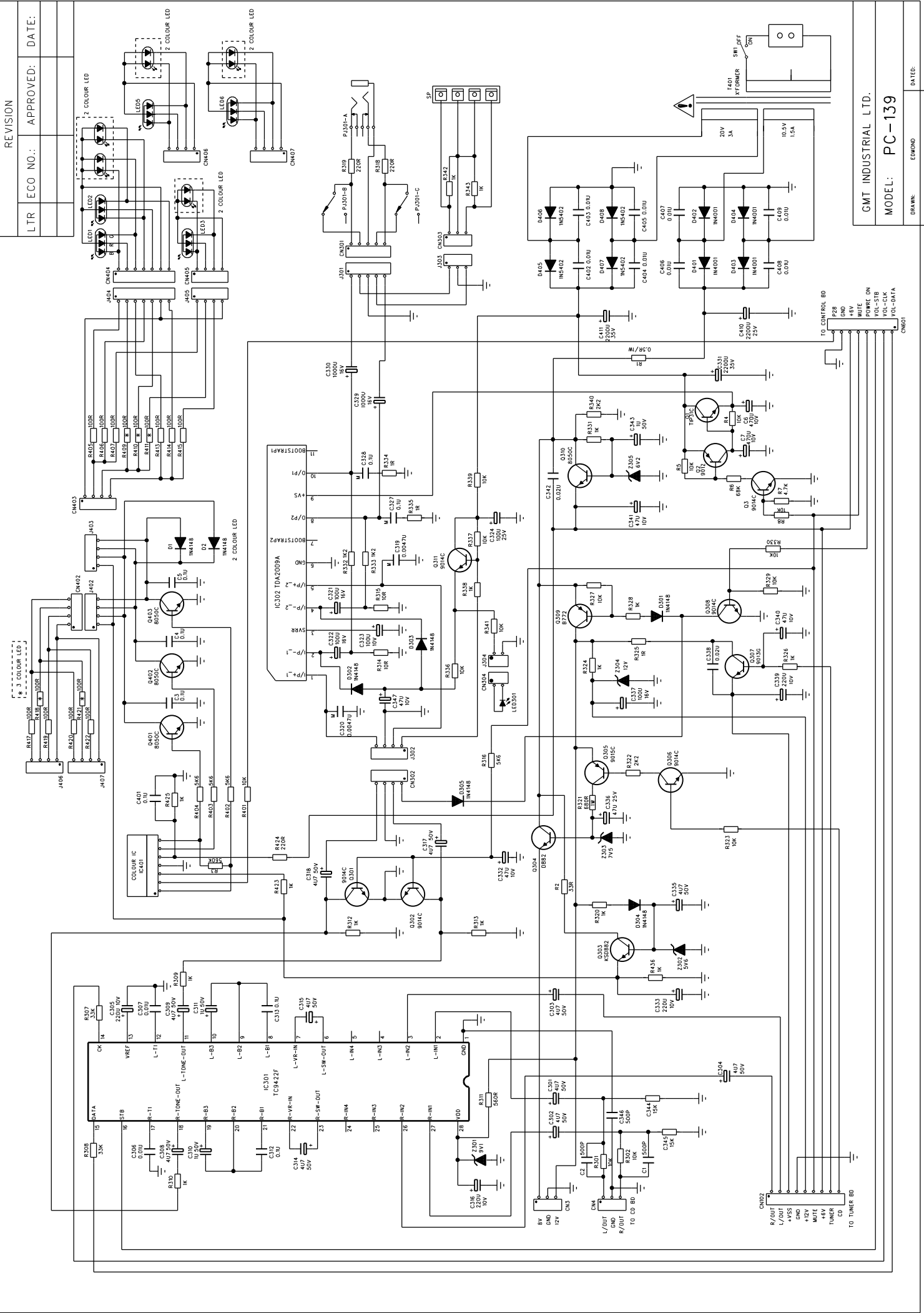
DRAWN BY: EDMOND

DATE:

REVISION	
LTR	ECO NO.:
APPROVED:	DATE:



GMT INDUSTRIAL LTD.
 MODEL: PC-139
 DRAWN: EDMOND
 DATED: 07-03-2002



REVISION
 LTR ECO NO.:
 APPROVED: DATE:

GMT INDUSTRIAL LTD.
 MODEL: PC-139
 DRAWN: EDMOND
 DATED: